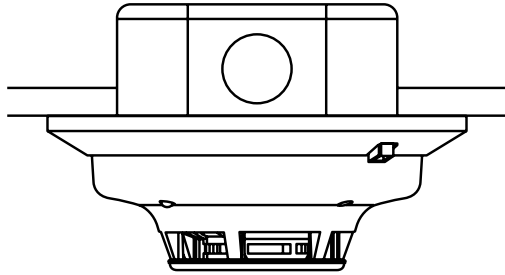


4. Direct mount or to ceiling using drywall fasteners (Figure 2).

Figure 1: Mounting of Detector



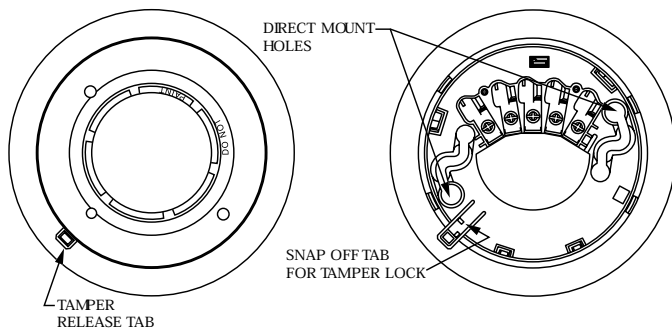
A78-2706-00

The i³ Series heads and bases are keyed so that a 2-wire head will only mount to a 2-wire base, and a 4-wire head will only mount to a 4-wire base. The heads and bases are clearly identified as either 2-wire or 4-wire. When mounting the i³ Series, ensure that the head is mounted to the correct base.

Tamper-Resistant Feature

The i³ Series detectors include a tamper-resistant feature that prevents removal from the mounting base without the use of a tool. To engage the tamper-resistant feature, cut the small plastic tab located on the mounting base (Figure 2), and then install the detector. To remove the detector from the base once it has been made tamper resistant, use a small screwdriver to depress the square tamper release tab, located on the skirt of the mounting base, and turn the detector counterclockwise.

Figure 2: Tamper-Resistant Feature



A78-2711-00

Do NOT Install Detectors in the Following Areas:

- In or near areas where particles of combustion are normally present such as kitchens; in garages (vehicle exhaust); near furnaces, hot water heaters, or gas space heaters.
- In very cold or very hot areas.
- In wet or excessively humid areas, or next to bathrooms with showers.
- In dusty, dirty, or insect-infested areas.
- Near fresh air inlets or returns or excessively drafty areas. Air conditioners, heaters, fans, and fresh air intakes and returns can drive smoke away from the detector.

Consult CAN/ULC S524, the local Authority Having Jurisdiction (AHJ), and/or applicable codes for specific information regarding the spacing and placement of smoke detectors.

Wiring Installation Guidelines

All wiring must be installed in compliance with the Canadian Electrical Code, applicable state and local codes, and any special requirements of the local Authority Having Jurisdiction.

Proper wire gauges should be used. The conductors used to connect smoke detectors to the alarm control panel and accessory devices should be color-coded to reduce the likelihood of wiring errors. Improper connections can prevent a system from responding properly in the event of a fire.

The screw terminals in the mounting base will accept 14–22 gauge wire. For best system performance, all wiring should be installed in separate grounded conduit; do not mix fire alarm system wiring in the same conduit as any other electrical wiring. Twisted pair may be used to provide additional protection against extraneous electrical interference.

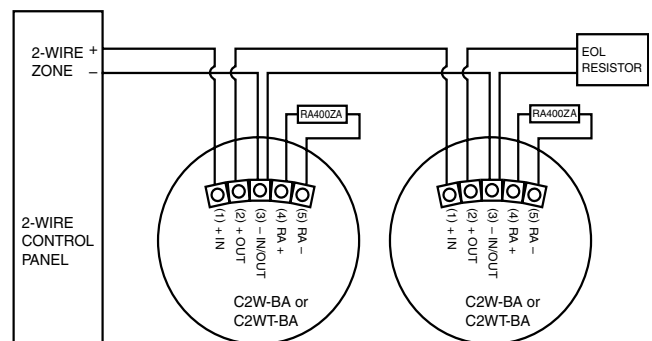
Wire connections are made by stripping approximately 1/4-inch of insulation from the end of the feed wire, inserting it into the proper base terminal, and tightening the screw to secure the wire in place.

Two-Wire Compatibility

System Sensor two-wire smoke detectors are marked with a compatibility identifier located on the label on the back of the product. For two-wire models C2W-BA and C2WT-BA, connect detectors only to compatible alarm control panels. **NOTE: Style D(Class A) initiating circuits require the use of a C2W-MOD2A for models C2W-BA and C2WT-BA.**

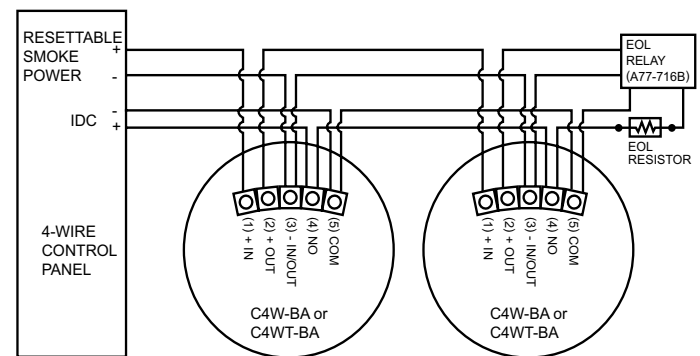
Wiring Diagrams

Figure 3a: Wiring Diagram, C2W-BA and C2WT-BA



A78-2714-00

Figure 3b: Wiring Diagram, C4W-BA and C4WT-BA



A78-2715-00

Installation



Remove power from alarm control unit or initiating device circuits before installing detectors.

NOTE: To install units so that corresponding LEDs are lined up, refer to the “Green LED” indicator on the base.